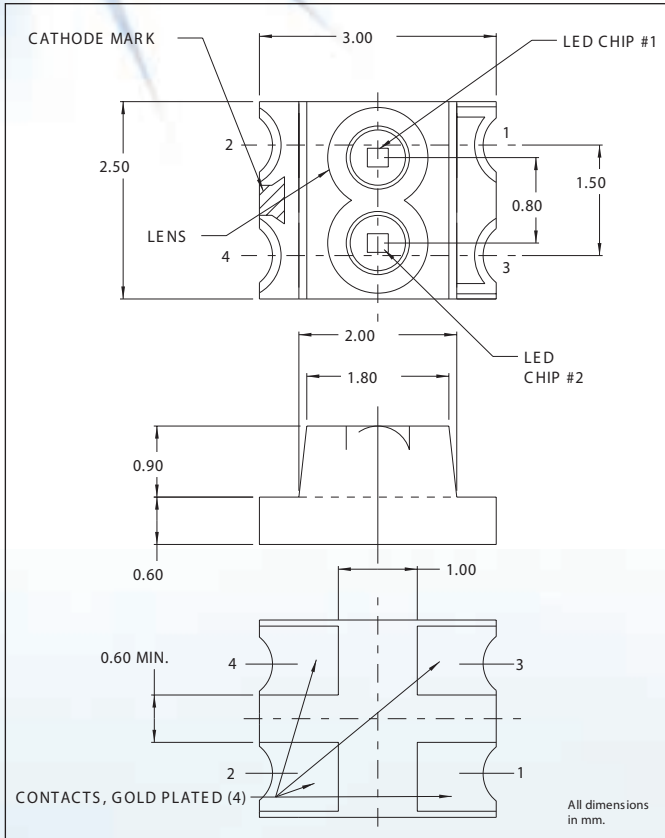


7011X Series Bicolor SMT LEDs

DESCRIPTION AND FEATURES



Color Combinations:

- Red/Yellow
- Red/Green
- Green/Yellow

Surface Mount Technology

- Tape and reel packaged for high-speed autoinsertion.
- Convection and vapor-phase reflow compatible.
- Compact form enables high density placement.
- Packaged 2500 pieces per reel.

Leading Edge LED Optoelectronic Performance

- Consistent high brightness.

Exceptional Reliability

- Stringent process controls assure quality.
- Extensive qualification testing to meet strictest requirements.
- Designed to permit easy post-reflow solder joint inspection.

- Solder pad geometry on page 1-X1.

ELECTRO-OPTICAL CHARACTERISTICS AND RATINGS

PART NUMBER	7011X1/17	7011X1/5	7011X1/7	7011X5/7
Output Color	Red/Yellow	Red/Green	Red/Yellow	Green/Yellow
Diffused/Non-Diffused	Non-Diffused	Non-Diffused	Non-Diffused	Non-Diffused
Package Color	Clear	Clear	Clear	Clear
Power Dissipation (mW)	60/75	60/75	60/75	75
Peak Forward Current Max. (mA)	70	70	70	70
Reverse Voltage (IR=100µA) (V)	4	4	4	4
Operating temperature (°C)	-30 to +85	-30 to +85	-30 to +85	-30 to +85
Storage Temperature (°C)	-30 to +90	-30 to +90	-30 to +90	-30 to +90
Forward Voltage Typ. (IF=20mA)	1.75/2.2	1.7/2.1	1.7/2.1	2.1/2.2
Forward Voltage Max. (IF=20mA)	2.0/2.5	2.0/2.5	2.0/2.5	2.5
Continuous Forward Current Max. (mA)	30	30	30	30
Luminous Intensity Min. (IF=20mA)	6.0/3.0	6.0/3.0	6.0	3.0
Luminous Intensity Max. (IF=20mA)	17.0/6.0	17.0/7.5	17.0/12.0	7.5/6.0
Peak Wavelength (IF=20mA)	660/580	660/560	660/570	560/580
Viewing Angle (degrees)	100	100	100	100
Rated Current (mA)	20	20	20	20
Reverse Current Max. (Vs=4V)	100	100	100	100